

Discrete ethernet switch

A secure way to switch between independent networks

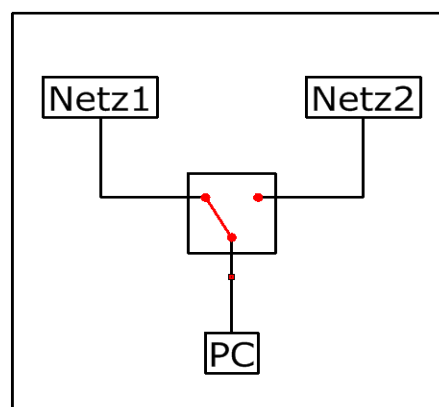
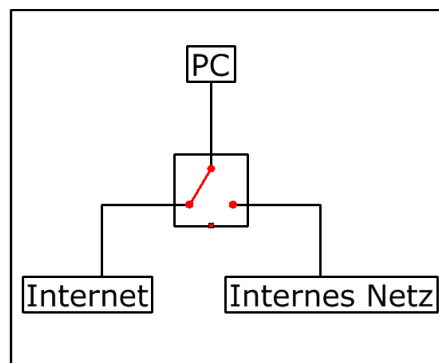


With the discrete ethernet switch you are able to switch between two physically separated networks.

Technical data

- physical isolation between two networks
- 1x input
- 2x output(only one enabled)
- 10/100Base-T
- Special edition in silver available
- Case: 50 mm x 45 mm x 31.2 mm
- Weight: 100g

- Art nr. ESW10/100



micma GmbH

Glonner Straße 19
D-85667 Oberframmern

